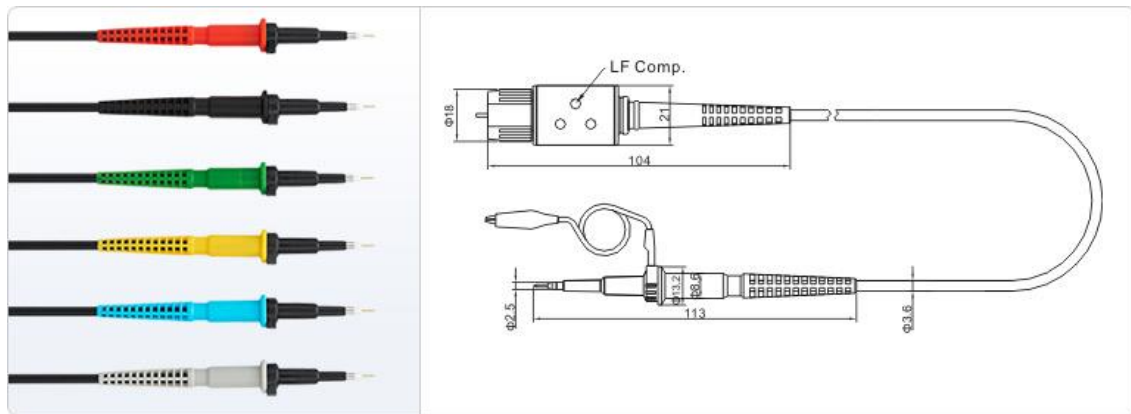


# New Products

Texas 社 web からの収集カタログ：(不備、不十分な点、ご容赦下さい) ケイテック/ktek@2018

## 2.5mm Passive Probe

### 300MHz~500MHz Readout Passive Probe TX6500A Series

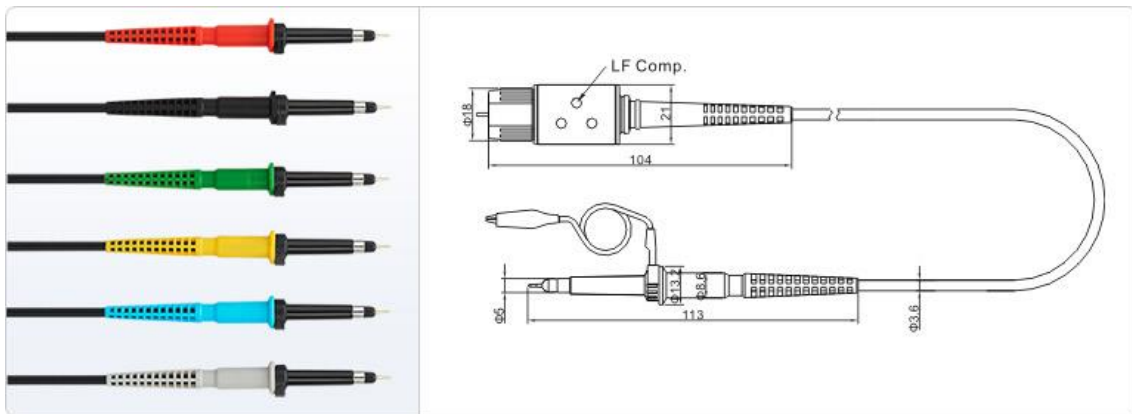


MODEL	TX6530A	TX6540A	TX6550A
Atten.Ratio	X10	X10	X10
Bandwidth (MHz@3dB)	300	400	500
Rise-time (ns)	1.16	0.875	0.7
Input Res. (ohM)	10M	10M	10M
Input Cap. (pF)	10	10	10
Comp.Range (pF)	10~30	10~30	10~30
Max. Input Volt.	300VDC+pkAC		

Safety	Conformed IEC-61010 CATI & CAT II
Cable Length	1.3m

TOP

### 300MHz~500MHz Readout Passive Probe TX6500B Series

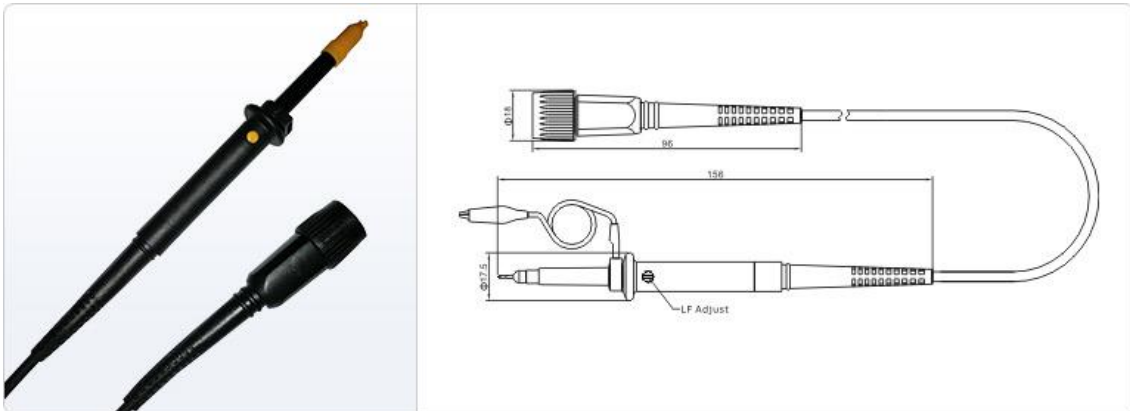


MODEL	TX6530B	TX6540B	TX6550B
Atten.Ratio	X10	X10	X10
Bandwidth (MHz@3dB)	300	400	500
Rise-time (ns)	1.16	0.875	0.7
Input Res. (ohM)	10M	10M	10M
Input Cap. (pF)	10	10	10
Comp.Range (pF)	10~30	10~30	10~30
Max. Input Volt.	300VDC+pkAC		

Safety	Conformed IEC-61010 CATI & CAT II
Cable Length	1.3m

TOP

**300MHz~500MHz Passive Probe PK8000 Series(only for china)**



MODEL	PK8300	PK8400	PK8500
Atten.Ratio	X10	X10	X10
Bandwidth (MHz@3dB)	300	400	500
Rise-time (ns)	1.16	0.875	0.7
Input Res. (ohM)	10M	10M	10M
Input Cap. (pF)	12	12	12
Comp.Range (pF)	10~35	10~35	10~35
Max. Input Volt.	300VDC+pkAC		

Safety	Conformed IEC-61010 CATI & CAT II
Cable Length	1.3m

-----\*\*\*\*\*-----

## Oscilloscope Passive probe



With X1/X10 Switch Passive probe



Readout Passive Probe



High voltage X100 Passive Probe



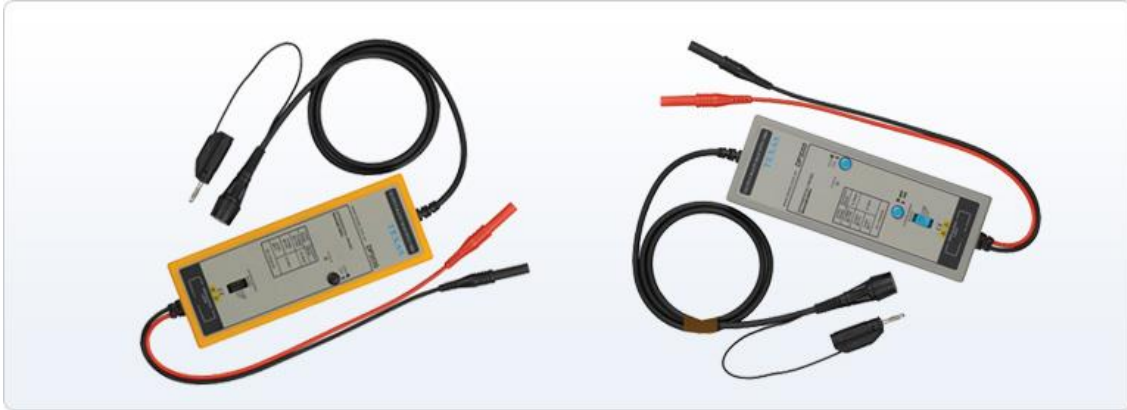
High Voltage X1000 Passive Probe



*Other Passive Probe*

# Differential probe

## Differential Oscilloscope Probe DP3000 Series



MODEL	DP3050	DP3035
Atten.Ratio	1/1.1/10,1/100	1/1,1/10,1/100
Bandwidth (MHz@3dB)	DC to 50MHz	DC to 35MHz
Bandwidth limited (MHz@3dB)	DC to 10MHz	
Accuracy	3%	3%
Rise-time (ns)	7	10
	35(BWL)	
Input impedance	1/1.1/10, 10MΩ//5pF	1/1.1/10, 10MΩ//5pF
	1/100 11MΩ//5pF	1/100 11MΩ//5pF

Diff. DC-input Resistance	$\geq 20\text{M}\Omega$	$\geq 20\text{M}\Omega$
Max. Differential input voltage *	DC+AC 1/1 +/-10V	DC+AC 1/1 +/-10V
	DC+AC 1/10 +/-100V	DC+AC 1/10 +/-100V
	DC+AC 1/100 +/-1000V	DC+AC 1/100 +/-1000V
Max. Common mode voltage	1/1 +/-10V	1/1 +/-10V
	1/10 +/-100V	1/10 +/-100V
	1/100 +/-1000V	1/100 +/-1000V
Output	$\leq \pm 10\text{V}$	$\leq \pm 10\text{V}$
Output impedance	50 $\Omega$	50 $\Omega$
CMRR	1MHz>40dB	1MHz>40dB

## Auto-Probe and Test Accessories

---



Secondary Ignition Pickup

**MODEL: TX25A**

RG58 Coaxial Cable

BNC Connector



2-Pin Automotive Breakout Leads

**MODEL: TA012**





6-Way Universal Breakout Leads

**MODEL: TA023/024/025/026**

0.6/1.5/2.3/2.8MM



20:1 Attenuator

**MODEL: TA010**



Automotive Test-leads

**MODEL: TA000**



Current Clamp Adapter

**MODEL: TA038**



BNC to BNC Lead with earth clamp

**MODEL: TA033**



BNC TO BNC Test-leads

**MODEL: TA098**

## DMM Test Accessories And Test Leads

---



### **Test Clip Set Insulation Piercing**

#### **MODEL: TP50-X**

Pierces wire up to 5mm diameter

For use with 16 AWG through 30 AWG wire

Compatible with all H.K.TEXAS banana plug leads

Sheathed 4mm receptacle accepts shrouded

banana plugs and unshrouded banana plugs

Meets all the latest international safety standards

Operating Voltage: CAT III 1000V

Current: 5 Amperes

Std. Colors: -0 black, -1 red



## **Test Clip Set with Pincer**

### **MODEL: TP51-X**

Pincer Opening: 0.16in (4.06mm)

dia. test point.

Fit 4mm Banana plugs connectios

Rating: Overvoltage CAT III,

1000V, 10A per IEC1010-2-031.

Std.Colors: -0 black,-1 red



## **Replacement Modular Probe**

### **MODEL: TP52-X**

TP-52-X Lantern tip Fits 4mm Jack CAT III 1000V

Modular probes fit all TEXAS test leads.

Lantern tip probes fit into banana jacks.

Material:nickel plated brass.

Rating: For CE compliance.

Std.Colors: -0 black,-1 red

TOP



## Piercing Pin with Banana Jack

**MODEL: TP62**



## Test Probe of Clamp

**MODEL: TP63**

Rated Voltage: CAT III 1000V

Rated Current: 10A

Clamp Opening: 15mm

Approx.: 155mm

\*Std. Colors: -0 black, -1 red.



## Test Clip of Spring Wire Grabbers

### MODEL: TP64

Rated Voltage: CAT III 1000V

Rated Current: 10A

Clamp Opening: 6mm

Approx.: 160mm

\*Std. Colors: -0 black, -1 red.

TOP



## Test Clip of Press Pin

### MODEL: TP65

Rated Voltage: CAT III 1000V

Rated Current: 2A

Gripping Dia.: 4mm

Approx.: 143mm

\*Std. Colors: -0 black, -1 red.



## Safety Crocodile Clamp

### MODEL: TP57

Accepts safety-sheathed 4mm banana plug.

Material: nickel plated brass.

Length - 92 mm Height - 37.5 mm Depth - 15.3 mm Clamping limit - 30 mm.

\*Std. Colors: -0 black, -1 red.



## Safety Crocodile Clamp

### MODEL: TP66

Rated Voltage: CAT III 1000V

Rated Current: 16A

Clamp Opening: 40mm

Approx.: 107mm

\*Std. Colors: -0 black, -1 red.

TOP





**BNC TO BNC Test-leads**

**MODEL: TX30**



**BNC To Clip Test-Leads**

**MODEL: TX31**



### **N-Type Coaxial Test Lead**

**MODEL: TX32**



### **Sheathed Banana Plug**

**MODEL: TP55**

Cable: 18 AWG Wire, 3.56mm O.D.

Rating: 1000V per IEC1010-2-031, 10A,.

Cable length selectable.

\*Std. Colors: -0 black, -1 red.

\*Y: Cable-length



## Test Clip To Stacking Banana Plug

### MODEL: TP60

Provides a Minigrabber output from a Banana Jack.

Banana plug is capable of vertical and cross stacking.

Mates to any standard 4mm Banana Jack.



## Multi-Stacking Banana Plug

### MODEL: TP54/TP54A

4ft (1.2 meter) stackable safety lead.

Material: Contacts: nickel-plated brass;

Wire: multi-strand copper,

Rating: IEC1010 1000V Cat III, 10A

\*Std. Colors: -0 black only, -1 red only,-2 blue only.

Y: -0 all insulated, -1 exposed banana plug.



DMM Test-Leads

MODEL: TZ15 Silicone/PVC

---

## Attenuator and Test Connectors

---



**Attenuator**  
**MODEL: TX24-X**

Frequency Range	DC to 1GHz
Attenuation	3, 6, 10, 20,40dB
Impedance	50ohm
Max. Input Level	1W (average)
VSWR	1.5:1 or better

**Feed-through terminator**  
**MODEL: TX22**

Frequency Range	DC to 1GHz
Impedance	50ohm/75ohm
Max. Input Level	1W (average)

**BNC Connector**



### Test Connector



BNC male to Stackable with 4mm terminals

**MODEL: TP59**



5mm JACK to BNC Plug

**MODEL: PA010**



5mm Jack to BNC Plug

**MODEL: PA011**



5mm Adapter with 0.8mm terminals

**MODEL: PA012**



5mm Adapter with 3 Pin

**MODEL: PA013**



Right Angle White Valox BNC

**MODEL: BNC-JP**





BNC JACK To SMA PLUG  
**MODEL: BNC/SMA-50KJ**



BNC PLUG To SMA JACK  
**MODEL: BNC/SMA-50JK**









BNC Jack To Plug

**MODEL: BNC-50JK**

---

## Probe Accessories

	<b>PA001</b>	Retractable hook
	<b>PA002</b>	Adjustment tool
	<b>PA003</b>	IC Insulating Cap

	<p><b>PA004</b></p>	<p>Insulating Cap</p>
	<p><b>PA005</b> <b>PA005A</b></p>	<p>Identification tags PA005A for 5mm Cable</p>
	<p><b>PA006</b></p>	<p>Ground Lead(12cm)</p>
	<p><b>PA007</b></p>	<p>Ground Spring</p>
	<p><b>PA008</b></p>	<p>Probe tip</p>
	<p><b>PA009</b></p>	<p>BNC Adapter</p>